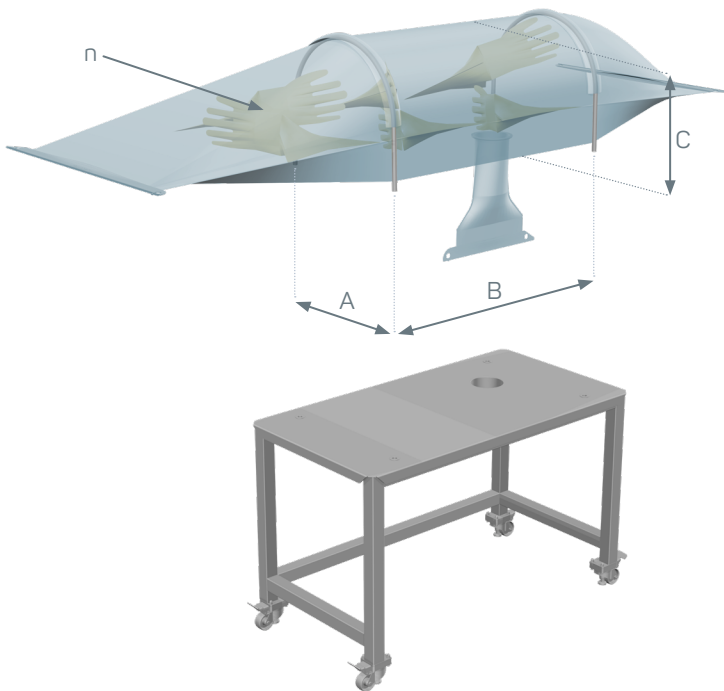


FLECOTEC

FLECOBOX (T-Box)



Various table models are available for the T-Box.

FLECOBOX T-Box

THIS INDIVIDUALLY PREFABRICATED FLEXIBLE ISOLATOR WITH SECONDARY CONTAINMENT AND INTEGRATED GLOVES MEETS ALL THE REQUIREMENTS OF CONTAINMENT LEVEL OEB 5 FOR HIGHLY TOXIC PRODUCTS.

Made from Flecofilm, a pharmaceutical grade polyethylene in accordance with:

- EUR Pharmacopoeia 3.1.3. and 3.1.5.
- USP <88>, in vivo reactivity tests
- USP <661>, physicochemical testing

External support frame made of white, FDA-compliant HDPE.

STANDARD SIZES

	650
Width A (mm)	610
Length B (mm)	1100
Height C (mm)	520
Base outlet possible	✓
Number of gloves (n)	2-10

(special sizes on request)



Flecotec AG

Breisingaring 13
79427 Eschbach
Germany

T + 49 7632 828 553-0
F + 49 7632 828 553-9

mail.ft@rommelag.com
www.rommelag.com

