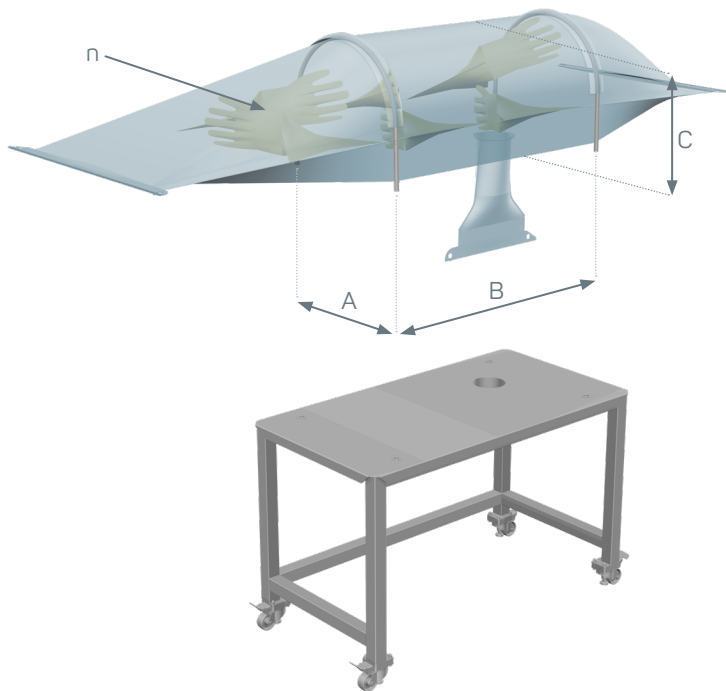


FLECOTEC

FLECOBOX (T-Box)



Various table models are available for the T-Box.

FLECOBOX T-Box

THIS INDIVIDUALLY PREFABRICATED FLEXIBLE ISOLATOR WITH SECONDARY CONTAINMENT AND INTEGRATED GLOVES MEETS ALL THE REQUIREMENTS OF CONTAINMENT LEVEL OEB 5 FOR HIGHLY TOXIC PRODUCTS.

The main application of the T-Box is its use for for closed sampling and weighing processes. The Flecozip closures arranged on both sides allow closed access to drums, for example, which are fitted with a Flecozip adapter for this purpose.

Samples taken can then be discharged on the opposite side, for example, or weighed material can be discharged via a Flecotec MTS bottom outlet into Flecozip bags.

STANDARD SIZES

	650
Width A (mm)	610
Length B (mm)	1100
Height C (mm)	520
Base outlet possible	✓
Number of gloves (n)	2-10

(special sizes on request)



Rommelag Flex Pharma GmbH

Breisgauring 13
79427 Eschbach
Germany

T + 49 7632 828 553-0
F + 49 7632 828 553-9

mail.rfp@rommelag.com
www.rommelag.com

