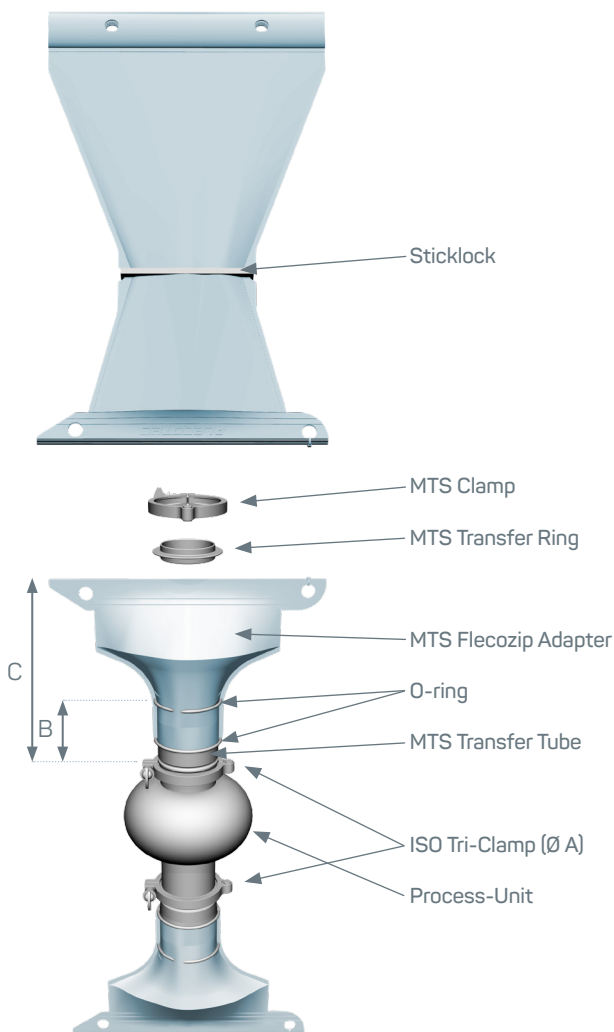


# FLECOTEC

FLECOTEC MTS (Material Transfer System)

## BAG DISCHARGING



## BAG CHARGING



## BAG CHARGING & DISCHARGING

THE FLECOTEC SYSTEM INCLUDES A NOVEL CHARGING AND DISCHARGING METHOD, FLECOTEC MTS (MATERIAL TRANSFER SYSTEM), WHERE THE FLECOTEC CLOSURES ARE USED AS SECONDARY INTERFACES.

Materials:

- MTS Transfer Tube: 1.4404 or HDPE
- MTS Transfer Ring: HDPE
- MTS Clamp: PA
- O-ring
- MTS Flecozip Adapter: Flecofilm DL

Flecofilm DL is a pharmaceutical grade PE in accordance with:

- EUR Pharmacopoeia 3.1.3. and 3.1.5.
- USP <88>, in vivo reactivity tests
- USP <661>, physicochemical testing

with permanent, non-migrating antistatic agent included in the outer layer.

### STANDARD SIZES

	MTS 4"	MTS 6"	MTS 8"
Nominal diameter A (inch)	4"	6"	8"
Length transfer tube B (mm)	150	150	150
Installation length C (mm)	~320	~330	~340



Flecotec AG

Breisgauring 13  
79427 Eschbach  
Germany

T + 49 7632 828 553-0  
F + 49 7632 828 553-9

[mail.ft@rommelag.com](mailto:mail.ft@rommelag.com)  
[www.rommelag.com](http://www.rommelag.com)

