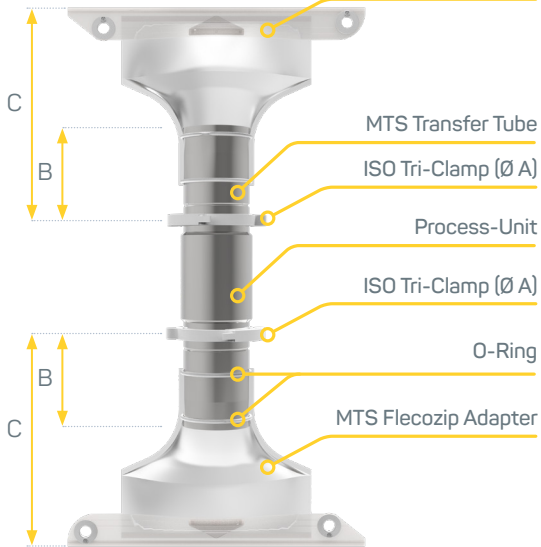


FLECOTEC

FLECOTEC MTS (Material Transfer System)

BAG DISCHARGING



BAG CHARGING



BAG CHARGING & DISCHARGING

THE FLECOTEC SYSTEM INCLUDES A NOVEL CHARGING AND DISCHARGING METHOD, FLECOTEC MTS (MATERIAL TRANSFER SYSTEM), WHERE THE FLECOTEC CLOSURES ARE USED AS SECONDARY INTERFACES.

This additional enclosure of the primary powder transfer interface are able to transfer highly active ingredients or other toxic substances safely from weighing isolators into Flecozip MTS bags.

These bags are then discharged in production safely into e.g. mixers or reactors via the MTS interface.

STANDARD SIZES

	MTS 4"	MTS 6"	MTS 8"
Nominal diameter A (inch)	4"	6"	8"
Length transfer tube B (mm)	150	150	150
Installation length C (mm)	~320	~330	~340



Rommelag Flex Pharma GmbH

Breisgauring 13
79427 Eschbach
Germany

T + 49 7632 828 553-0
F + 49 7632 828 553-9

mail.rfp@rommelag.com
www.rommelag.com

