

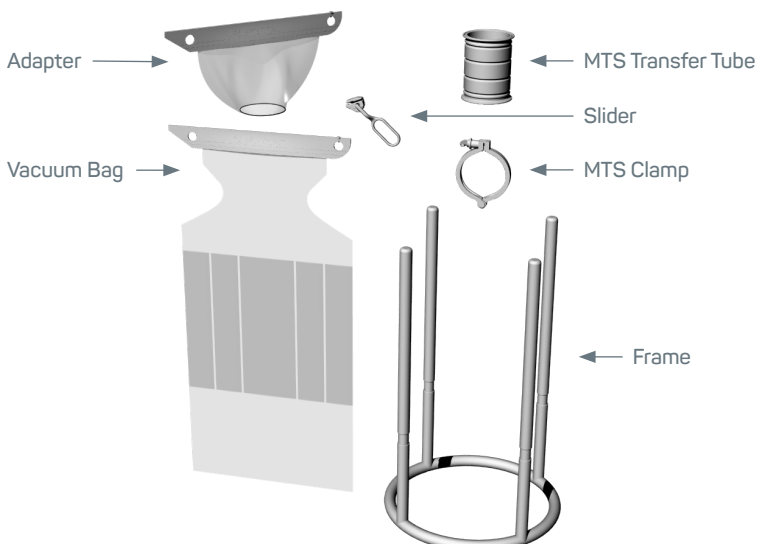
FLECOTEC

VACUUM BAG

VACUUM BAG SYSTEM



COMPONENTS



VACUUM BAG for tablet presses

WITH THE VACUUM BAG APPLICATION YOU CAN NOW SAFELY DISCHARGE TABLETS FROM PRESSURIZED PROCESS UNIT AND FILL THEM INTO A FLEXIBLE VACUUM BAG.

Whether standardized sizes or custom-made, the Vacuum Bag application provides the right connection and safe, contained transport from the tablet press to further processing units.

Materials:

- MTS Transfer Tube: 1.4404 or HDPE
- Stainless Steel Frame: 1.4404
- MTS Transfer Ring: HDPE
- MTS Clamp: PA
- O-ring
- Flecozip Adapter: Flecofilm DL
- Vacuum Bag: Flecofilm DL
- Slider: Ultra Mid B40L

Flecofilm DL is a pharmaceutical grade PE in accordance with:

- EUR Pharmacopoeia 3.1.3. and 3.1.5.
- USP <88>, in vivo reactivity tests
- USP <661>, physicochemical testing

with permanent, non-migrating antistatic agent included in the outer layer.



Flecotec AG

Breisgauring 13
79427 Eschbach
Germany

T + 49 7632 828 553-0
F + 49 7632 828 553-9

mail.ft@rommelag.com
www.rommelag.com

